



# PARTS BREAKDOWN PRESSURE WASHER

MODEL: B4014VABA

---



---

**BEPOWEREQUIPMENT**

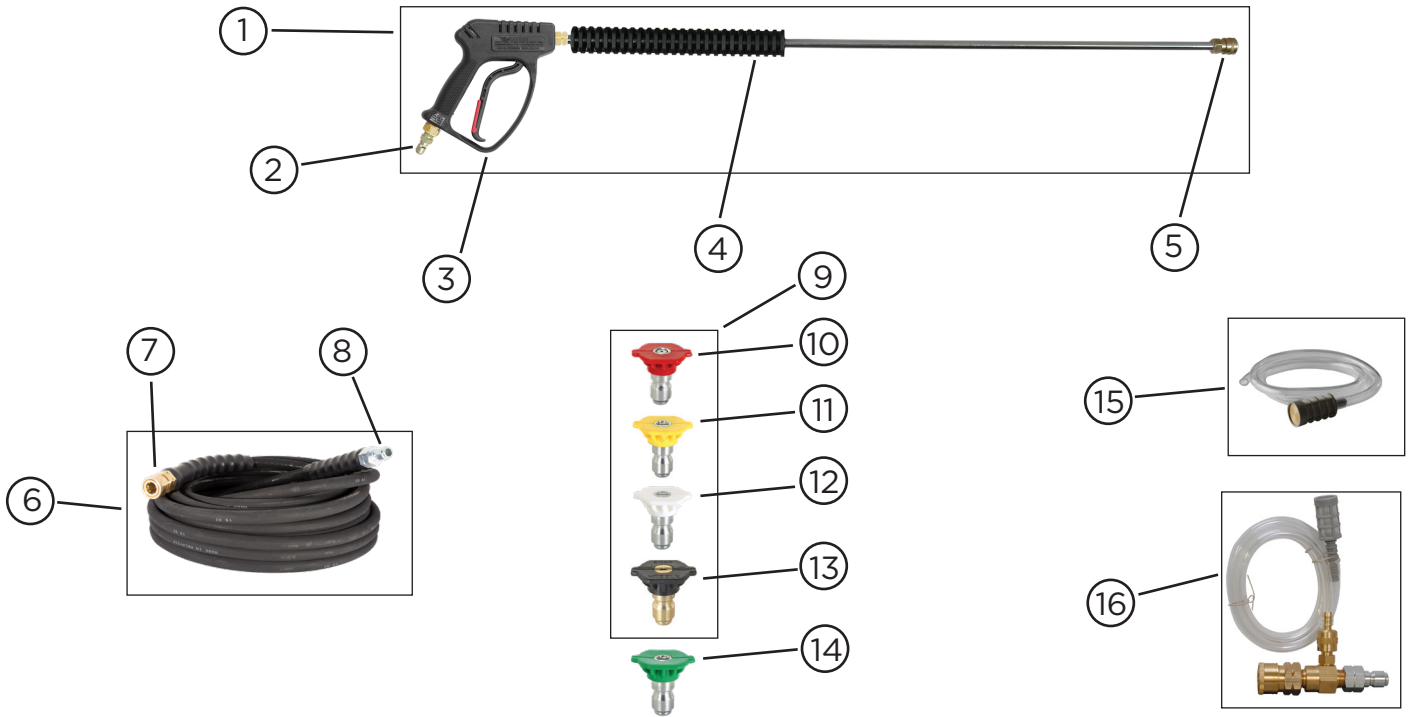
**.COM**



# PARTS BREAKDOWN PRESSURE WASHER

MODEL: B4014VABA

## ACCESSORIES COMPONENTS



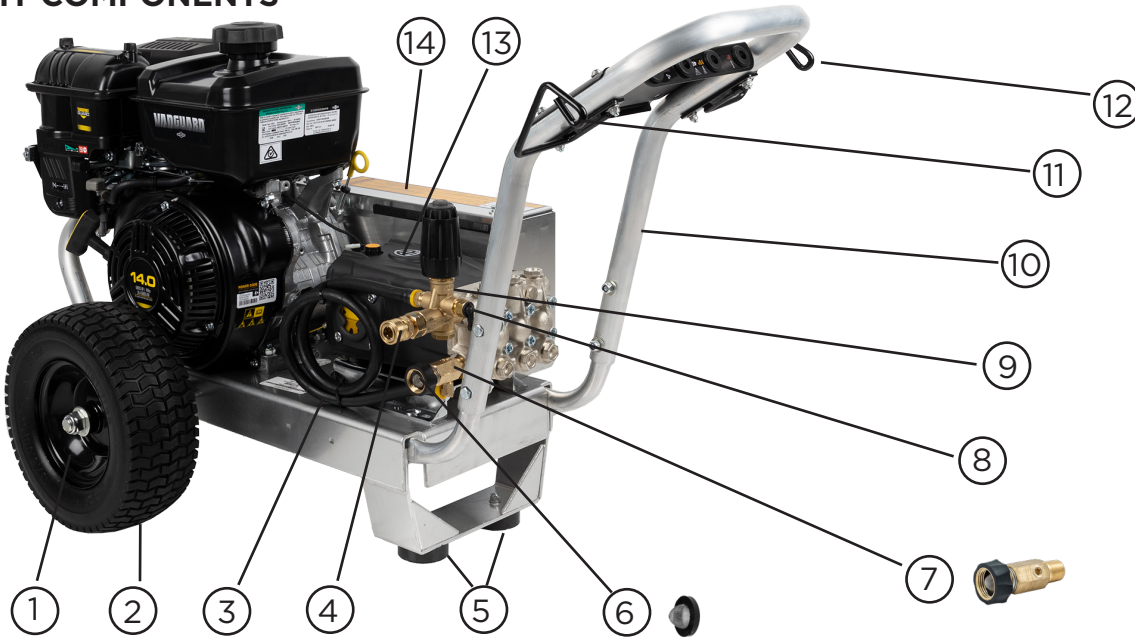
REF #	DESCRIPTION	QTY	BE PART #
1	SPRAY GUN-WAND ASSEMBLY	1	85.205.026
2	SPRAY GUN PLUG	1	85.300.105
3	SPRAY GUN	1	85.202.109
4	SPRAY WAND	1	85.202.026
5	SPRAY GUN 1/4" COUPLER	1	85.300.102
6	50' X 3/8" HOSE ASSEMBLY	1	85.238.155
7	3/8" HOSE COUPLER	1	85.300.103
8	3/8" HOSE PLUG	1	85.300.104
9	4 PIECE SPRAY NOZZLE SET, 040 ORIFICE	1	85.210.040
10	0° RED SPRAY NOZZLE, 040 ORIFICE	1	85.201.040
11	15° YELLOW SPRAY NOZZLE, 040 ORIFICE	1	85.216.040
12	40° WHITE SPRAY NOZZLE, 040 ORIFICE	1	85.241.040
13	BLACK SOAPER NOZZLE	1	85.266.400
14	25° GREEN SPRAY NOZZLE, 040 ORIFICE (OPTIONAL)	1	85.226.040
15	SOAP PICK-UP TUBE WITH FILTER	1	85.400.005
16	SOAP INJECTOR ASSEMBLY	1	85.400.000



# PARTS BREAKDOWN PRESSURE WASHER

MODEL: B4014VABA

## UNIT COMPONENTS



REF #	DESCRIPTION	QTY	BE PART #
1	WHEEL AXLE NUTS	2	09.000.018
2	12" FLAT FREE WHEEL	2	85.660.053BF
3	36" BY-PASS HOSE	1	85.202.078
4	3/8" PUMP OUTLET COUPLER	1	85.300.108
5	ANTI-VIBRATION FOOT PADS	2	85.660.009
6	INLET FILTER	1	85.308.120
7	INLET GARDEN HOSE FILTER FITTING	1	85.300.056
8	THERMAL RELIEF VALVE	1	85.300.022
9	UNLOADER ASSEMBLY	1	85.300.037NI
10	FRAME ASSEMBLY (WHEELS NOT INCLUDED)	1	85.600.088A
11	RIGHT HAND HANGER BRACKET	1	85.601.127R
12	LEFT HAND HANGER BRACKET	1	85.601.127L
13	COMPLETE PUMP ASSEMBLY - AR RG1528HN	1	85.129.006
14	BELT GUARD ASSEMBLY	1	85.602.088
15	35.5" COGGED BELT (NOT SHOWN)	1	47.002.035
16	2.65" ENGINE PULLEY (NOT SHOWN)	1	85.603.054
17	1" ENGINE BUSHING JA (NOT SHOWN)	1	85.603.055
18	TENSIONER WITH HARDWARE (NOT SHOWN)	1	85.601.088
19	6" PUMP PULLEY (NOT SHOWN)	1	85.603.057
20	24MM PUMP BUSHING SDS (NOT SHOWN)	1	85.603.056

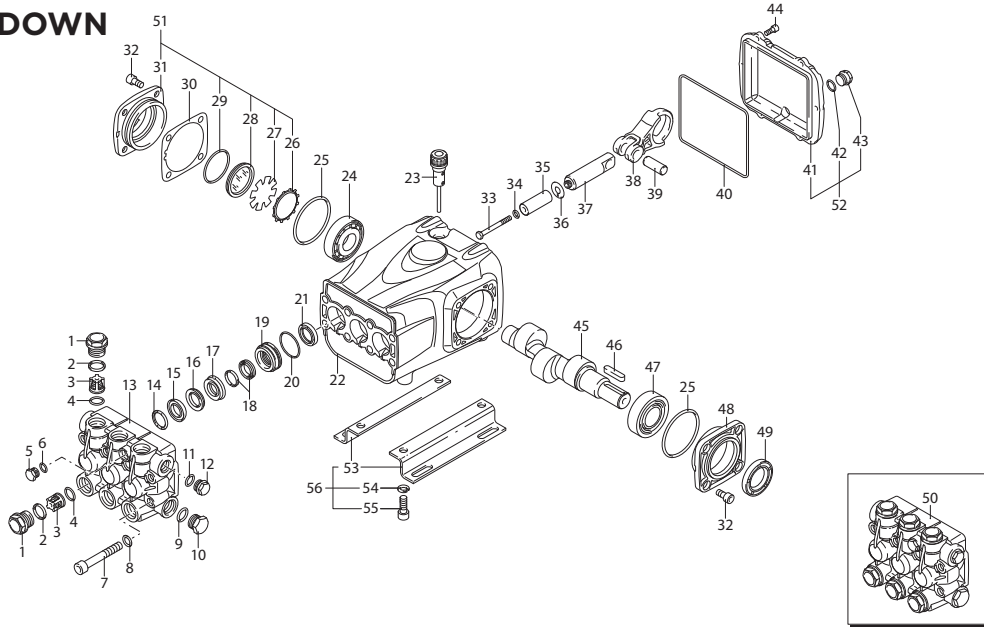
**\*CHECK WITH VANGUARD FOR 400 (25V3) ENGINE BREAKDOWN AND PARTS**



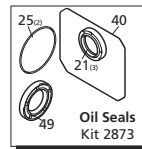
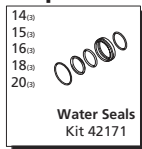
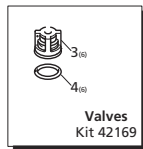
# PARTS BREAKDOWN PRESSURE WASHER

MODEL: B4014VABA

## PUMP BREAKDOWN



### Repair Kits



Pos	Code	Description	Qty	Pos	Code	Description	Qty	Legend
1	4020200	Valve Cap	(40 ft/lbs) 6	33	1941640	Screw M 6x60	(5 ft/lbs) 3	For ○ RG1525HN For ● RG2125HN
	961440	Valve Cap 1/4" Threaded Brass	(40 ft/lbs) 1	34	1340600	Washer	3	
	1381340	Valve Cap 1/4" Threaded NP	(40 ft/lbs) 1	35	1941020	Piston ø 18	3	
2	960160	O-Ring ø 17.86x2.62	6	36	1383190	Plate	3	
3	1389051	Complete Valve	6	37	1940960	Piston	3	
4	880830	O-Ring ø 15.54x2.62	6	38	2980010	Connecting-Rod	3	
5	1380690	Plug 1/4" G Nickel	1	39	1940060	Pin	3	
6	820510	O-Ring ø 10.82x1.78	1	40	1940410	O-Ring ø 132x3	1	
7	2980100	Screw M10x70	(39 ft/lbs) 8	41	4020030	Cover	1	
8	650530	Washer	8	42	740290	O-Ring ø 14x1.78	1	
9	180101	O-Ring ø 17.5x2	1	43	1980740	Plug 3/8" G Ottone	(18 ft/lbs) 1	
10	960870	Plug 1/2" G Nickel	(29 ft/lbs) 1	44	1200430	Screw M 6x16	(7 ft/lbs) 6	
11	740290	O-Ring ø 14x1.78	1	45	2980160	Shaft	○ 1	
12	1981180	Plug 3/8" G Nickel	(18 ft/lbs) 1		2980250	Shaft	● 1	
13	4020190	Head	1	46	3200230	Key	1	
14	960110	Ring ø 18	3	47	1941370	Bearing	1	
15	1382740	Water Seal ø 18	3	48	4020040	Cover	(18 ft/lbs) 1	
16	2340310	Ring ø 18	3	49	820680	Ring	(7 ft/lbs) 1	
17	2980070	Piston Guide ø 18	3	50	4029200	Head Assembly	1	
18	1942690	Water Seal	3		4029201	Head Assembly Nickel	1	
19	1942480	Piston Guide ø 18	3	51	4029000	Cover	1	
20	820490	O-Ring ø 34.65x1.78	3	52	4029001	Cover	1	
21	1940560	Ring	3	53	1940370	Base	2	
22	4020010	Pump Body	1	54	200231	Washer	4	
23	1980710	Plug	1	55	1940380	Screw 10x18	(36 ft/lbs) 4	
24	1140420	Bearing	1	56	2748	Rail Kit	1	
25	1941380	O-Ring ø 66.34x2.62	2		AR64516	Oil	2	
26	4020080	Ring	1			OIL CAPACITY - 32 oz		
27	4020070	Plate	1					
28	4020160	Level Gauge	1					
29	3680250	O-Ring ø 45.69x2.62	1					
	4020100	Shim 0.05 mm	1					
	4020110	Shim 0.10 mm	1					
	4020120	Shim 0.19 mm	1					
	4020130	Shim 0.25 mm	1					
	4020150	Cover	1					
32	850370	Screw M 8x16	(18 ft/lbs) 8					

# BE

**POWER EQUIPMENT**

---

If you need technical assistance call:

**1-866-850-6662**

**(8:00am - 4:30pm PST, Mon - Fri)**